

Linear Building Block – Dual Low Power Comparator and Voltage Reference with Shutdown

Features

- Combines Two Comparators and a Voltage Reference in a Single Package
- Optimized for Single Supply Operation
- Small Package: 8-Pin MSOP
- Ultra Low Input Bias Current: Less than 100pA
- Low Quiescent Current, Operating: 10 μ A (Typ.)
Shutdown Mode: 0.05 μ A (Typ.)
- Rail-to-Rail Inputs and Outputs
- Operates Down to $V_{DD} = 1.8V$

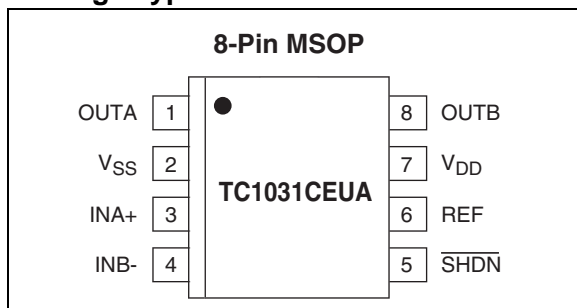
Applications

- Power Supply Circuits
- Battery Operated Equipment
- Consumer Products
- Replacements for Discrete Components

Device Selection Table

Part Number	Package	Temperature Range
TC1028CEUA	8-Pin MSOP	-40°C to +85°C

Package Type



General Description

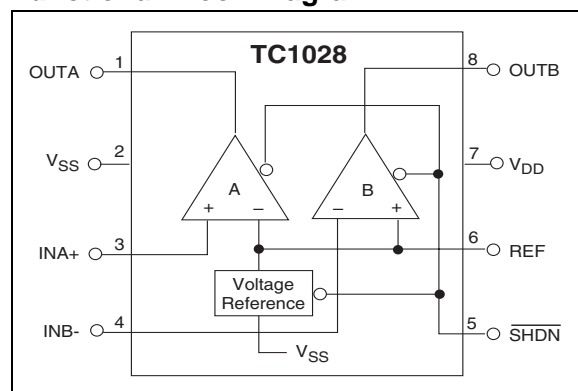
The TC1028 is a mixed-function device combining two comparators and a voltage reference in a single 8-pin package. The inverting input of Comparator A and the non-inverting input of Comparator B are internally connected to the reference.

This increased integration allows the user to replace two packages, which saves space, lowers supply current and increases system performance. The TC1028 operates from two 1.5V alkaline cells down to $V_{DD} = 1.8V$. It requires only 10 μ A typical of supply current, which significantly extends battery life. A low power shutdown input (SHDN) disables the entire chip, placing all outputs in a high-impedance state. This mode saves battery power and allows comparator outputs to share common analog lines (multiplexing). Shutdown current is 0.05 μ A typical.

Rail-to-rail inputs and outputs allow operation from low supply voltages with large input and output signal swings.

Packaged in an 8-Pin MSOP, the TC1028 is ideal for applications requiring low power level detection.

Functional Block Diagram



TC1028

1.0 ELECTRICAL CHARACTERISTICS

ABSOLUTE MAXIMUM RATINGS*

Supply Voltage	6.0V
Voltage on Any Pin	(V _{SS} - 0.3V) to (V _{DD} + 0.3V)
Junction Temperature	+150°C
Operating Temperature Range.....	-40°C to +85°C
Storage Temperature Range	-55°C to +150°C

*Stresses above those listed under "Absolute Maximum Ratings" may cause permanent damage to the device. These are stress ratings only and functional operation of the device at these or any other conditions above those indicated in the operation sections of the specifications is not implied. Exposure to Absolute Maximum Rating conditions for extended periods may affect device reliability.

TC1028 ELECTRICAL SPECIFICATIONS

Electrical Characteristics: Typical values apply at 25°C and V _{DD} = 3.0V. Minimum and maximum values apply for T _A = -40° to +85°C, and V _{DD} = 1.8V to 5.5V, unless otherwise specified.						
Symbol	Parameter	Min	Typ	Max	Units	Test Conditions
V _{DD}	Supply Voltage	1.8	—	5.5	V	
I _Q	Supply Current Operating	—	10	15	μA	All outputs unloaded, $\overline{\text{SHDN}} = V_{DD}$
I _{SHDN}	Supply Current, Shutdown	—	0.05	0.1	μA	$\overline{\text{SHDN}} = V_{SS}$
Shutdown Input						
V _{IH}	Input High Threshold	80% V _{DD}	—	—	V	
V _{IL}	Input Low Threshold	—	—	20% V _{DD}	V	
I _{SI}	Shutdown Input Current	—	—	±100	nA	
Comparators						
R _{OUT}	Output Resistance in Shutdown	20	—	—	MΩ	$\overline{\text{SHDN}} = V_{SS}$
C _{OUT}	Output Capacitance in Shutdown	—	—	5	pF	$\overline{\text{SHDN}} = V_{SS}$
T _{SEL}	Select Time	—	20	—	μsec	V _{OUT} Valid from $\overline{\text{SHDN}} = V_{IH}$
T _{DESEL}	Deselect Time	—	500	—	nsec	V _{OUT} Invalid from $\overline{\text{SHDN}} = V_{IL}$ R _L = 10kΩ to V _{SS}
V _{IR}	Input Voltage Range	V _{SS} - 0.2	—	V _{DD} + 0.2	V	
V _{OS}	Input Offset Voltage	-5 -5	—	+5 +5	mV	V _{DD} = 3V, T _A = 25°C T _A = -40°C to 85°C
I _B	Input Bias Current	—	—	±100	pA	T _A = 25°C, INA+, INB- = V _{DD} to V _{SS}
V _{OH}	Output High Voltage	V _{DD} - 0.3	—	—	V	R _L = 10kΩ to V _{SS}
V _{OL}	Output Low Voltage	—	—	0.3	V	R _L = 10kΩ to V _{DD}
CMRR	Common Mode Rejection Ratio	66	—	—	dB	T _A = 25°C, V _{DD} = 5V V _{CM} = V _{DD} to V _{SS}
PSRR	Power Supply Rejection Ratio	60	—	—	dB	T _A = 25°C, V _{DD} = 1.8V to 5V
I _{SRC}	Output Source Current	1	—	—	mA	INA+ = V _{DD} , INB- = V _{SS} Output Shorted to V _{SS} V _{DD} = 1.8V
I _{SINK}	Output Sink Current	2	—	—	mA	INA+ = V _{SS} , INB- = V _{DD} Output Shorted to V _{DD} V _{DD} = 1.8V
t _{PD1}	Response Time	—	4	—	μsec	100mV Overdrive, C _L = 100pF
t _{PD2}	Response Time	—	6	—	μsec	10mV Overdrive, C _L = 100pF
Voltage Reference						
V _{REF}	Reference Voltage	1.176	1.200	1.224	V	
I _{REF(SOURCE)}	Source Current	50	—	—	μA	
I _{REF(SINK)}	Sink Current	50	—	—	μA	
C _{L(REF)}	Load Capacitance	—	—	100	pF	
R _{OUT(SD)}	Output Resistance in Shutdown	20	—	—	MΩ	$\overline{\text{SHDN}} = V_{SS}$
C _{OUT(SD)}	Output Capacitance in Shutdown	—	—	5	pF	$\overline{\text{SHDN}} = V_{SS}$

TC1028 ELECTRICAL SPECIFICATIONS (CONTINUED)

Electrical Characteristics: Typical values apply at 25°C and $V_{DD} = 3.0V$. Minimum and maximum values apply for $T_A = -40^\circ$ to $+85^\circ C$, and $V_{DD} = 1.8V$ to $5.5V$, unless otherwise specified.

Symbol	Parameter	Min	Typ	Max	Units	Test Conditions
T_{SEL}	Select Time	—	200	—	μsec	REF Valid from $\overline{\text{SHDN}} = V_{IH}$ $R_L = 100k\Omega$ to V_{SS}
T_{DESEL}	Deselect Time	—	10	—	μsec	REF Invalid from $\overline{\text{SHDN}} = V_{IL}$ $R_L = 100k\Omega$ to V_{SS}
$C_{L(REF)}$	Load Capacitance	—	—	100	pF	
E_{VREF}	Noise Voltage	—	20	—	μV_{RMS}	100Hz TO 100kHz
e_{VREF}	Noise Voltage Density	—	1.0	—	$\mu V/\sqrt{Hz}$	1kHz

TC1028

2.0 PIN DESCRIPTION

The description of the pins are listed in Table 2-1.

TABLE 2-1: PIN FUNCTION TABLE

Pin No. (8-Pin MSOP)	Symbol	Description
1	OUTA	Comparator output.
2	V_{SS}	Negative power supply.
3	INA+	Non-inverting input to Comparator A.
4	INB-	Inverting input to Comparator B.
5	$\overline{\text{SHDN}}$	Shutdown input.
6	REF	Voltage reference.
7	V_{DD}	Positive power supply.
8	OUTB	Comparator output.

3.0 DETAILED DESCRIPTION

The TC1028 is one of a series of very low power, linear building block products targeted at low voltage, single supply applications. The TC1028 minimum operating voltage is 1.8V and typical supply current is only 10 μ A (fully enabled). It combines two comparators and a voltage reference in a single package. The shutdown mode disables both comparators and the reference. All of the outputs are in a high impedance state during shutdown.

3.1 Comparators

The TC1028 contains two comparators. The comparator's input range extends beyond both supply voltages by 200mV and the outputs will swing to within several millivolts of the supplies depending on the load current being driven. The inverting input of Comparator A and the non-inverting input of Comparator B are internally connected to the output of the voltage reference.

The comparators exhibit a propagation delay and supply current which are largely independent of supply voltage. The low input bias current and offset voltage make them suitable for high impedance precision applications. Both comparators are disabled during shutdown and have high impedance outputs.

3.2 Voltage Reference

A 2.0% tolerance, internally biased, 1.20V bandgap voltage reference is included in the TC1028. It has a push-pull output capable of sourcing and sinking 50 μ A. The voltage reference is disabled during shutdown, with a high impedance output.

3.3 Shutdown Input

$\overline{\text{SHDN}}$ at V_{IL} disables the entire part. The $\overline{\text{SHDN}}$ input cannot be allowed to float; when not used, connect it to V_{DD} . All outputs are in a high impedance state when shutdown is active. The disabled comparators' inputs and outputs can be driven from rail-to-rail by an external voltage when the TC1028 is in shutdown. No latchup will occur when the device is driven to its enabled state when SHDN is set to V_{IH} .

4.0 TYPICAL APPLICATIONS

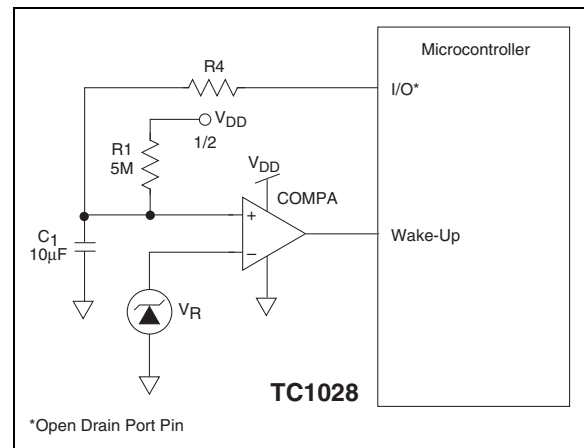
The TC1028 lends itself to a wide variety of applications, particularly in battery-powered systems. It typically finds application in power management, processor supervisory and interface circuitry.

4.1 Wake-Up Timer

Many microcontrollers have a low-power "sleep" mode that significantly reduces their supply current. Typically, the microcontroller is placed in this mode via a software instruction, and returns to a fully-enabled state upon reception of an external signal ("wake-up"). The wake-up signal is usually supplied by a hardware timer. Most system applications demand that this timer have a long duration (typically seconds or minutes), and consume as little supply current as possible.

The circuit shown in Figure 4-1 is a wake-up timer made from Comparator A. Capacitor C1 charges through R1 until a voltage equal to V is reached, at which point the "wake-up" is driven active. Upon wake-up, the microcontroller resets the timer by forcing a logic low on a dedicated, open drain I/O port pin. This discharges C1 through R4 (the value of R4 is chosen to limit maximum current sunk by the I/O port pin). With a 3V supply, the circuit as shown consumes typically 10 μ A and furnishes a nominal timer duration of 25 seconds.

FIGURE 4-1: WAKE-UP TIMER



4.2 Precision Battery Monitor

Figure 4-2 is a precision battery low/battery dead monitoring circuit. Typically, the battery low output warns the user that a battery dead condition is imminent. Battery dead typically initiates a forced shutdown to prevent operation at low internal supply voltages (which can cause unstable system operation).

The circuit in Figure 4-2 uses a single TC1028, a TC1034, and only six external resistors. COMPA and COMPB provide precision voltage detection using V_R as a reference. Resistors R2 and R4 set the detection threshold for $\overline{\text{BATT LOW}}$, while resistors R1 and R3 set the detection threshold for $\overline{\text{BATT FAIL}}$. The component values shown assert $\overline{\text{BATT LOW}}$ at 2.2V (typical) and $\overline{\text{BATT FAIL}}$ at 2.0 (typical). Total current consumed by this circuit is typically 16 μ A at 3V. Resistors R5 and R6 provide hysteresis for comparators COMPA and COMPB, respectively.

4.3 External Hysteresis (Comparator)

Hysteresis can be set externally with two resistors using positive feedback techniques (see Figure 4-3). The design procedure for setting external comparator hysteresis is as follows:

1. Choose the feedback resistor R_C . Since the input bias current of the comparator is at most 100pA, the current through R_C can be set to 100nA (i.e., 1000 times the input bias current) and retain excellent accuracy. The current through R_C at the comparator's trip point is V_R / R_C where V_R is a stable reference voltage.
2. Determine the hysteresis voltage (V_{HY}) between the upper and lower thresholds.

3. Calculate R_A as follows:

EQUATION 4-1:

$$R_A = R_C \left(\frac{V_{HY}}{V_{DD}} \right)$$

4. Choose the rising threshold voltage for V_{SRC} (V_{THR}).
5. Calculate R_B as follows:

EQUATION 4-2:

$$R_B = \frac{1}{\left[\left(\frac{V_{THR}}{V_R \times R_A} \right) - \frac{1}{R_A} - \frac{1}{R_C} \right]}$$

6. Verify the threshold voltages with these formulas:

V_{SRC} rising:

EQUATION 4-3:

$$V_{THR} = (V_R)(R_A) \left[\left(\frac{1}{R_A} \right) + \left(\frac{1}{R_B} \right) + \left(\frac{1}{R_C} \right) \right]$$

V_{SRC} falling:

EQUATION 4-4:

$$V_{THF} = V_{THR} - \left[\left(\frac{R_A \times V_{DD}}{R_C} \right) \right]$$

FIGURE 4-2: PRECISION BATTERY MONITOR

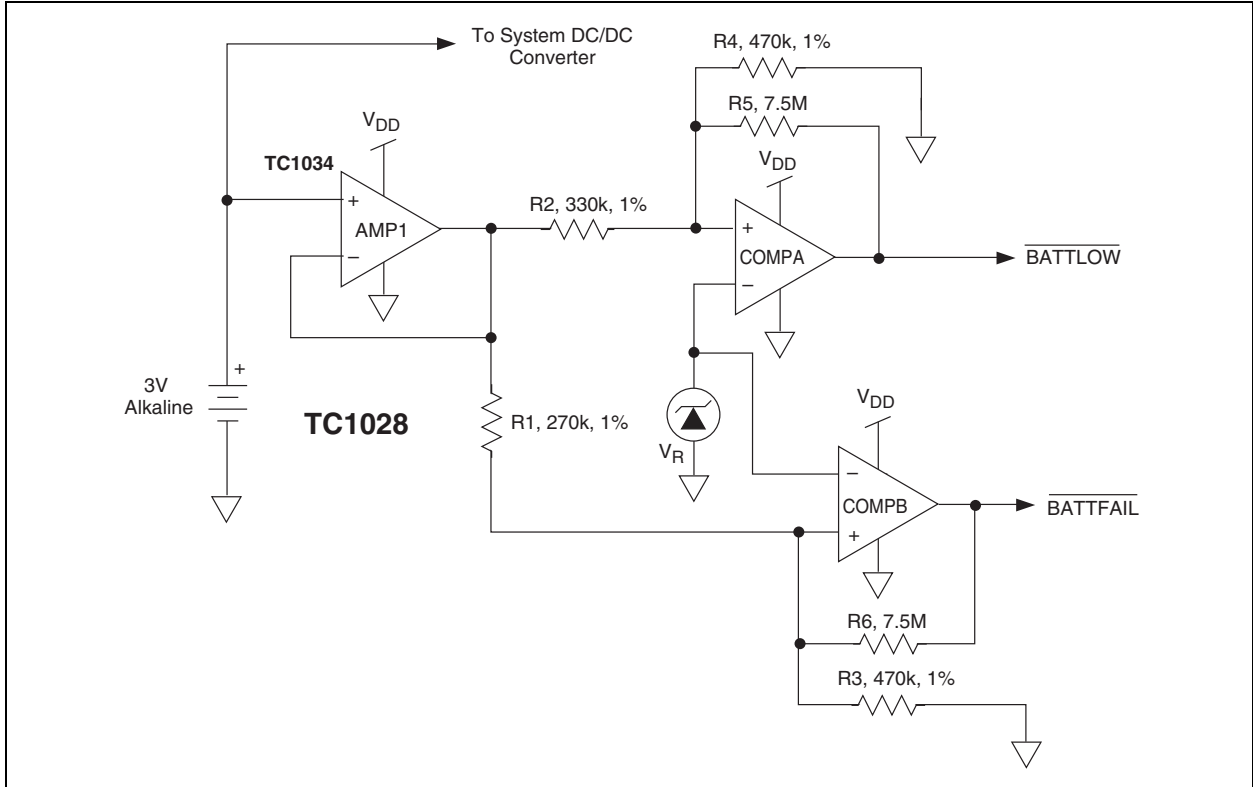
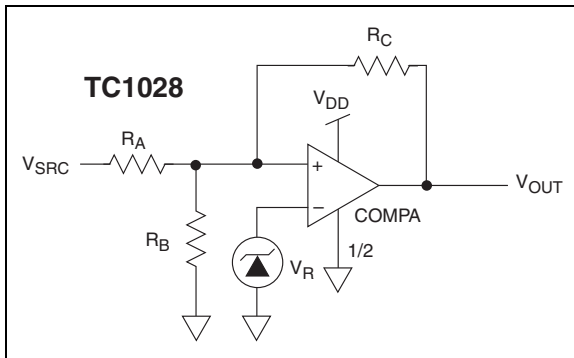


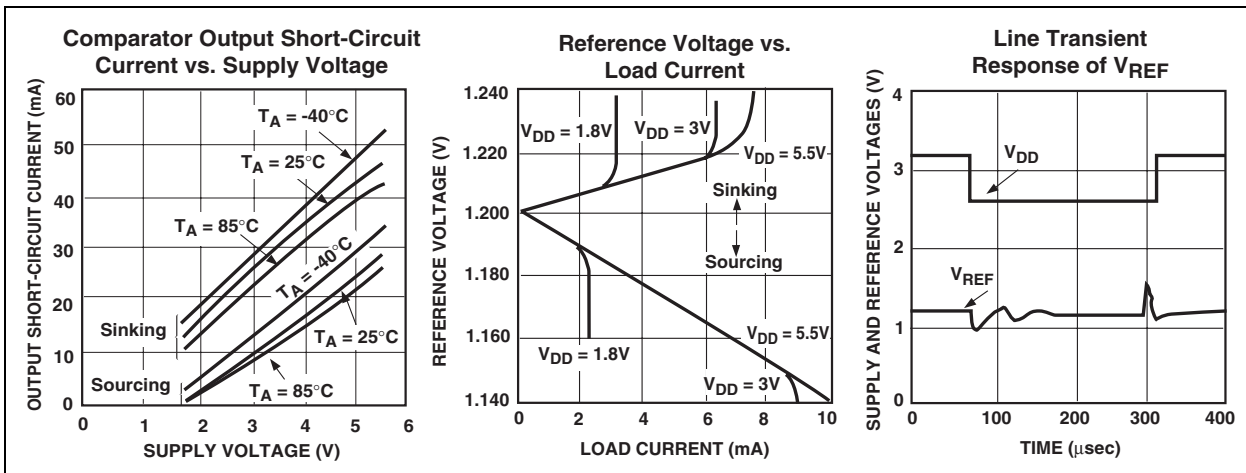
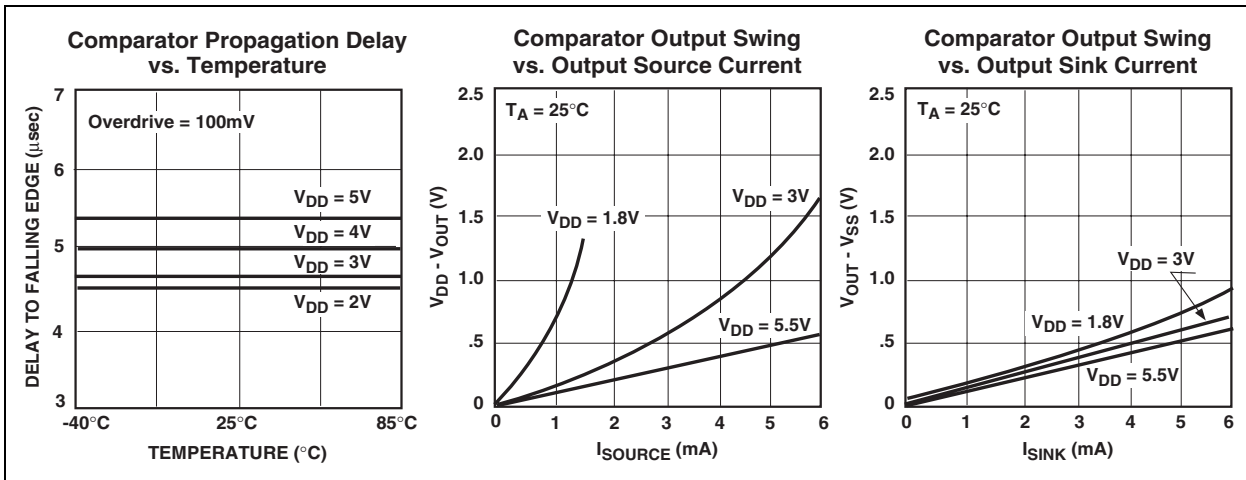
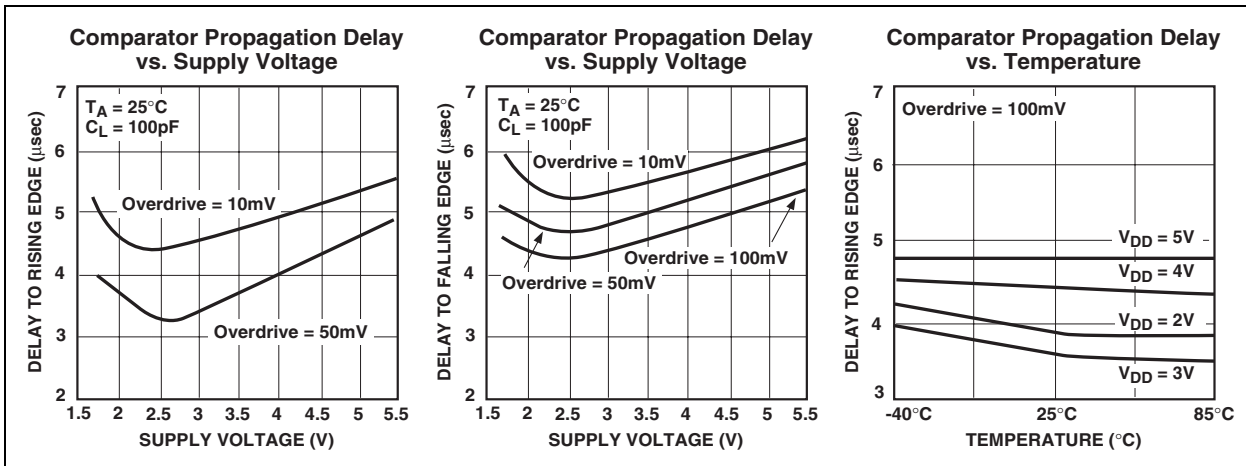
FIGURE 4-3: COMPARATOR EXTERNAL HYSTERESIS CONFIGURATION



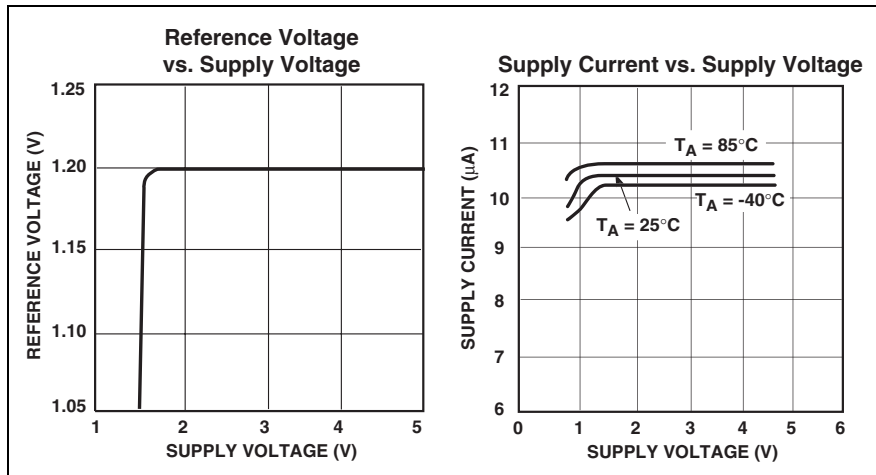
TC1028

5.0 TYPICAL CHARACTERISTICS

Note: The graphs and tables provided following this note are a statistical summary based on a limited number of samples and are provided for informational purposes only. The performance characteristics listed herein are not tested or guaranteed. In some graphs or tables, the data presented may be outside the specified operating range (e.g., outside specified power supply range) and therefore outside the warranted range.



5.0 TYPICAL CHARACTERISTICS (CONTINUED)



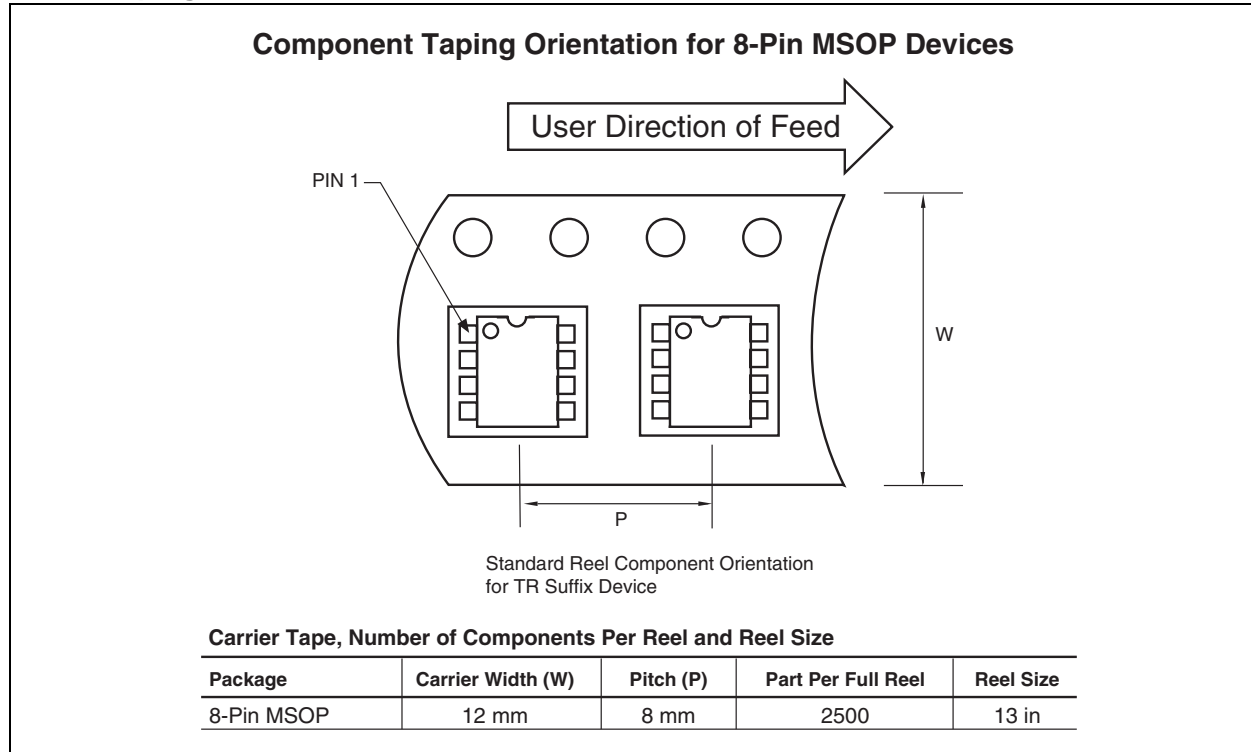
TC1028

6.0 PACKAGING INFORMATION

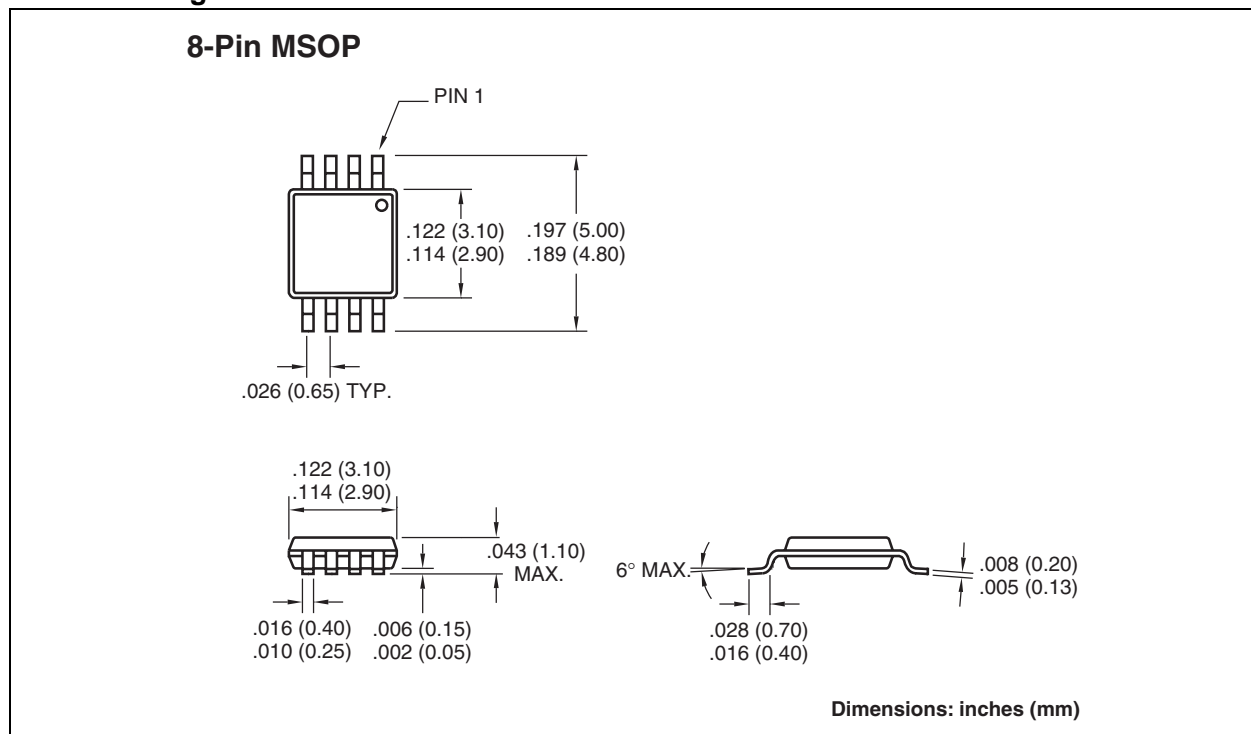
6.1 Package Marking Information

Package marking data not available at this time.

6.2 Taping Form



6.3 Package Dimensions



Sales and Support

Data Sheets

Products supported by a preliminary Data Sheet may have an errata sheet describing minor operational differences and recommended workarounds. To determine if an errata sheet exists for a particular device, please contact one of the following:

1. Your local Microchip sales office
2. The Microchip Corporate Literature Center U.S. FAX: (480) 792-7277
3. The Microchip Worldwide Site (www.microchip.com)

Please specify which device, revision of silicon and Data Sheet (include Literature #) you are using.

New Customer Notification System

Register on our web site (www.microchip.com/cn) to receive the most current information on our products.

TC1028

NOTES:

Note the following details of the code protection feature on Microchip devices:

- Microchip products meet the specification contained in their particular Microchip Data Sheet.
- Microchip believes that its family of products is one of the most secure families of its kind on the market today, when used in the intended manner and under normal conditions.
- There are dishonest and possibly illegal methods used to breach the code protection feature. All of these methods, to our knowledge, require using the Microchip products in a manner outside the operating specifications contained in Microchip's Data Sheets. Most likely, the person doing so is engaged in theft of intellectual property.
- Microchip is willing to work with the customer who is concerned about the integrity of their code.
- Neither Microchip nor any other semiconductor manufacturer can guarantee the security of their code. Code protection does not mean that we are guaranteeing the product as "unbreakable."

Code protection is constantly evolving. We at Microchip are committed to continuously improving the code protection features of our products. Attempts to break Microchip's code protection feature may be a violation of the Digital Millennium Copyright Act. If such acts allow unauthorized access to your software or other copyrighted work, you may have a right to sue for relief under that Act.

Information contained in this publication regarding device applications and the like is provided only for your convenience and may be superseded by updates. It is your responsibility to ensure that your application meets with your specifications. MICROCHIP MAKES NO REPRESENTATIONS OR WARRANTIES OF ANY KIND WHETHER EXPRESS OR IMPLIED, WRITTEN OR ORAL, STATUTORY OR OTHERWISE, RELATED TO THE INFORMATION, INCLUDING BUT NOT LIMITED TO ITS CONDITION, QUALITY, PERFORMANCE, MERCHANTABILITY OR FITNESS FOR PURPOSE. Microchip disclaims all liability arising from this information and its use. Use of Microchip's products as critical components in life support systems is not authorized except with express written approval by Microchip. No licenses are conveyed, implicitly or otherwise, under any Microchip intellectual property rights.

Trademarks

The Microchip name and logo, the Microchip logo, Accuron, dsPIC, KEELoQ, microID, MPLAB, PIC, PICmicro, PICSTART, PRO MATE, PowerSmart, rPIC, and SmartShunt are registered trademarks of Microchip Technology Incorporated in the U.S.A. and other countries.


AmpLab, FilterLab, Migratable Memory, MXDEV, MXLAB, PICMASTER, SEEVAL, SmartSensor and The Embedded Control Solutions Company are registered trademarks of Microchip Technology Incorporated in the U.S.A.

Analog-for-the-Digital Age, Application Maestro, dsPICDEM, dsPICDEM.net, dsPICworks, ECAN, ECONOMONITOR, FanSense, FlexROM, fuzzyLAB, In-Circuit Serial Programming, ICSP, ICEPIC, Linear Active Thermistor, MPASM, MPLIB, MPLINK, MPSIM, PCKIT, PICDEM, PICDEM.net, PICLAB, PICtail, PowerCal, PowerInfo, PowerMate, PowerTool, rLAB, rPICDEM, Select Mode, Smart Serial, SmartTel, Total Endurance and WiperLock are trademarks of Microchip Technology Incorporated in the U.S.A. and other countries.

SQTP is a service mark of Microchip Technology Incorporated in the U.S.A.

All other trademarks mentioned herein are property of their respective companies.

© 2005, Microchip Technology Incorporated, Printed in the U.S.A., All Rights Reserved.

 Printed on recycled paper.

**QUALITY MANAGEMENT SYSTEM
CERTIFIED BY DNV
== ISO/TS 16949:2002 ==**

Microchip received ISO/TS-16949:2002 quality system certification for its worldwide headquarters, design and wafer fabrication facilities in Chandler and Tempe, Arizona and Mountain View, California in October 2003. The Company's quality system processes and procedures are for its PICmicro® 8-bit MCUs, KEELoQ® code hopping devices, Serial EEPROMs, microperipherals, nonvolatile memory and analog products. In addition, Microchip's quality system for the design and manufacture of development systems is ISO 9001:2000 certified.



WORLDWIDE SALES AND SERVICE

AMERICAS

Corporate Office

2355 West Chandler Blvd.
Chandler, AZ 85224-6199
Tel: 480-792-7200
Fax: 480-792-7277
Technical Support:
<http://support.microchip.com>
Web Address:
www.microchip.com

Atlanta

Alpharetta, GA
Tel: 770-640-0034
Fax: 770-640-0307

Boston

Westborough, MA
Tel: 774-760-0087
Fax: 774-760-0088

Chicago

Itasca, IL
Tel: 630-285-0071
Fax: 630-285-0075

Dallas

Addison, TX
Tel: 972-818-7423
Fax: 972-818-2924

Detroit

Farmington Hills, MI
Tel: 248-538-2250
Fax: 248-538-2260

Kokomo

Kokomo, IN
Tel: 765-864-8360
Fax: 765-864-8387

Los Angeles

Mission Viejo, CA
Tel: 949-462-9523
Fax: 949-462-9608

San Jose

Mountain View, CA
Tel: 650-215-1444
Fax: 650-961-0286

Toronto

Mississauga, Ontario,
Canada
Tel: 905-673-0699
Fax: 905-673-6509

ASIA/PACIFIC

Australia - Sydney

Tel: 61-2-9868-6733
Fax: 61-2-9868-6755

China - Beijing

Tel: 86-10-8528-2100
Fax: 86-10-8528-2104

China - Chengdu

Tel: 86-28-8676-6200
Fax: 86-28-8676-6599

China - Fuzhou

Tel: 86-591-8750-3506
Fax: 86-591-8750-3521

China - Hong Kong SAR

Tel: 852-2401-1200
Fax: 852-2401-3431

China - Qingdao

Tel: 86-532-8502-7355
Fax: 86-532-8502-7205

China - Shanghai

Tel: 86-21-5407-5533
Fax: 86-21-5407-5066

China - Shenyang

Tel: 86-24-2334-2829
Fax: 86-24-2334-2393

China - Shenzhen

Tel: 86-755-8203-2660
Fax: 86-755-8203-1760

China - Shunde

Tel: 86-757-2839-5507
Fax: 86-757-2839-5571

China - Wuhan

Tel: 86-27-5980-5300
Fax: 86-27-5980-5118

China - Xian

Tel: 86-29-8833-7250
Fax: 86-29-8833-7256

ASIA/PACIFIC

India - Bangalore

Tel: 91-80-2229-0061
Fax: 91-80-2229-0062

India - New Delhi

Tel: 91-11-5160-8631
Fax: 91-11-5160-8632

India - Pune

Tel: 91-20-2566-1512
Fax: 91-20-2566-1513

Japan - Yokohama

Tel: 81-45-471-6166
Fax: 81-45-471-6122

Korea - Gumi

Tel: 82-54-473-4301
Fax: 82-54-473-4302

Korea - Seoul

Tel: 82-2-554-7200
Fax: 82-2-558-5932 or
82-2-558-5934

Malaysia - Penang

Tel: 60-4-646-8870
Fax: 60-4-646-5086

Philippines - Manila

Tel: 63-2-634-9065
Fax: 63-2-634-9069

Singapore

Tel: 65-6334-8870
Fax: 65-6334-8850

Taiwan - Hsin Chu

Tel: 886-3-572-9526
Fax: 886-3-572-6459

Taiwan - Kaohsiung

Tel: 886-7-536-4818
Fax: 886-7-536-4803

Taiwan - Taipei

Tel: 886-2-2500-6610
Fax: 886-2-2508-0102

Thailand - Bangkok

Tel: 66-2-694-1351
Fax: 66-2-694-1350

EUROPE

Austria - Wels

Tel: 43-7242-2244-399
Fax: 43-7242-2244-393

Denmark - Copenhagen

Tel: 45-4450-2828
Fax: 45-4485-2829

France - Paris

Tel: 33-1-69-53-63-20
Fax: 33-1-69-30-90-79

Germany - Munich

Tel: 49-89-627-144-0
Fax: 49-89-627-144-44

Italy - Milan

Tel: 39-0331-742611
Fax: 39-0331-466781

Netherlands - Drunen

Tel: 31-416-690399
Fax: 31-416-690340

Spain - Madrid

Tel: 34-91-708-08-90
Fax: 34-91-708-08-91

UK - Wokingham

Tel: 44-118-921-5869
Fax: 44-118-921-5820